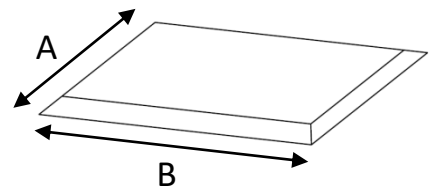


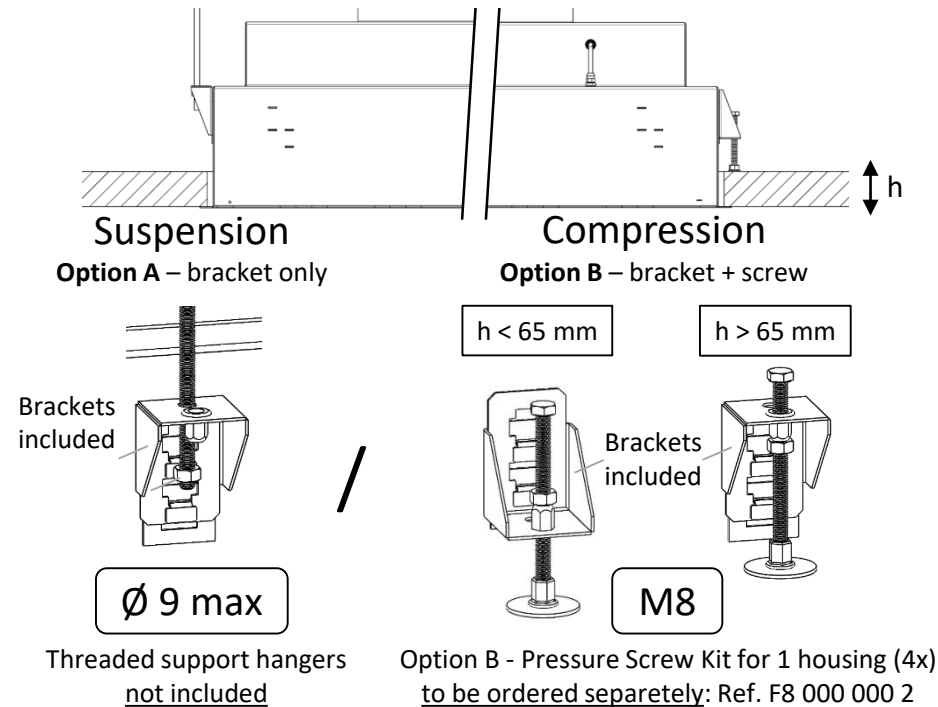


### Housing Installation

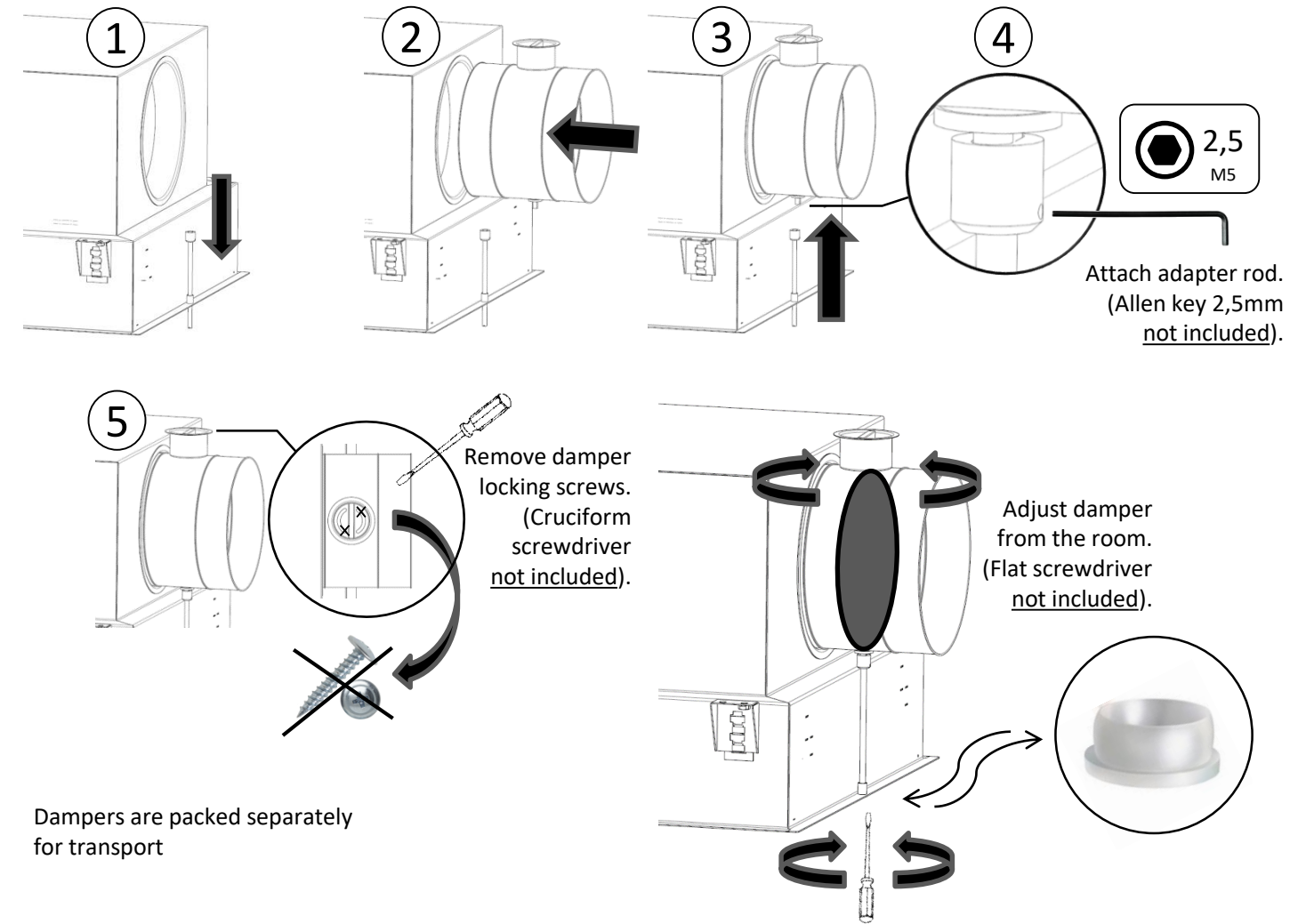


Recommended cutout dimensions

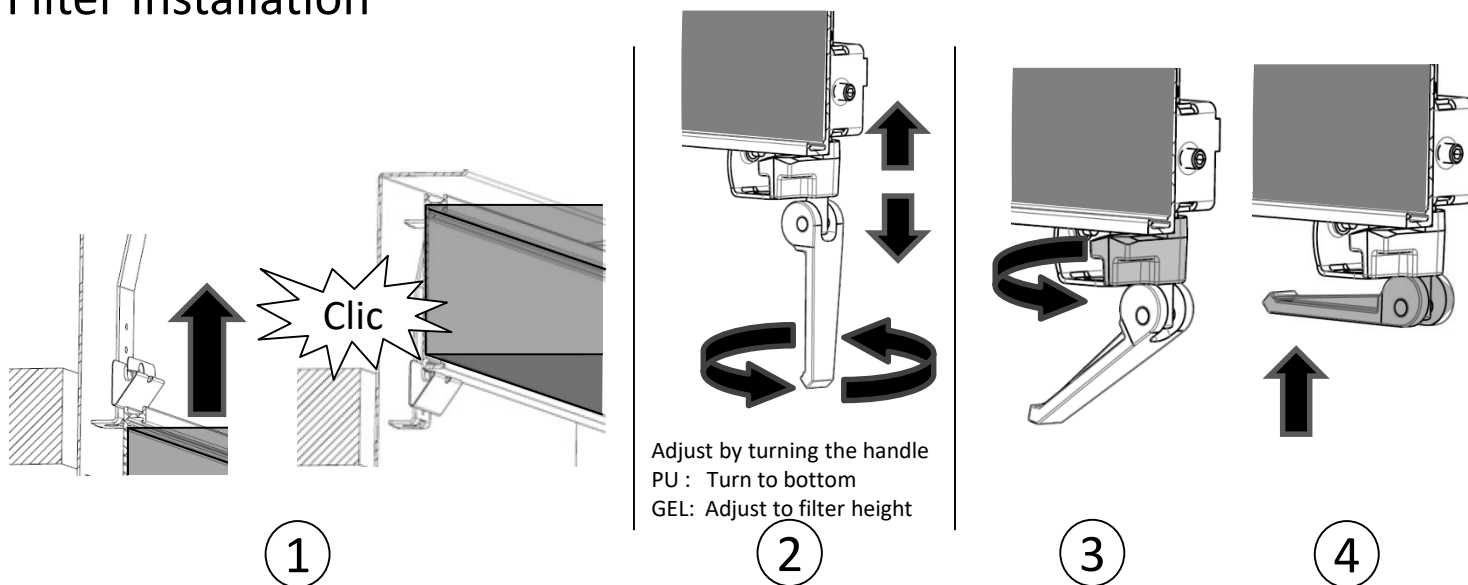
CL	Filter Size	A [mm]	B [mm]
Square	3P3	374	374
	4P4	526	526
	5P5	577	577
	6P6	679	679
	9P9	987	984
Rect.	3P6	374	667
	9P6	679	972
	11P5	577	1165
	12P6	679	1277



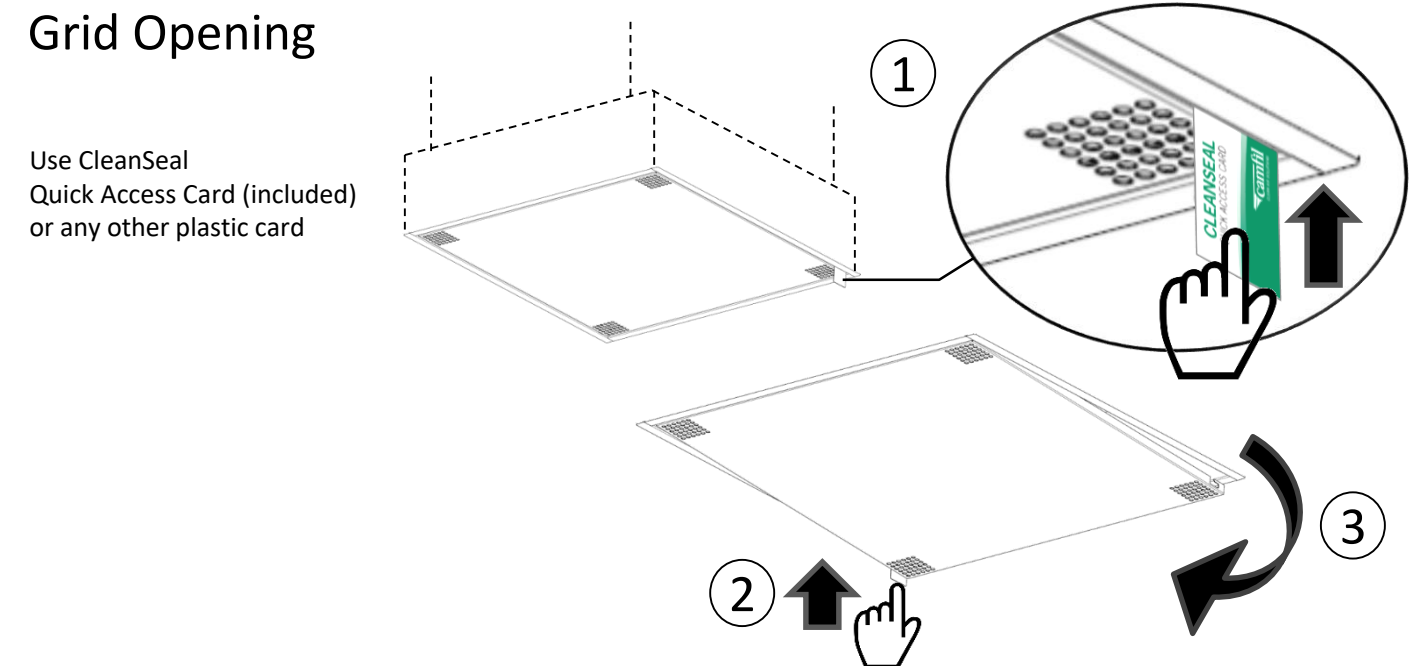
### Damper Installation



### Filter Installation

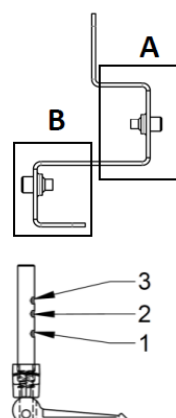


### Grid Opening

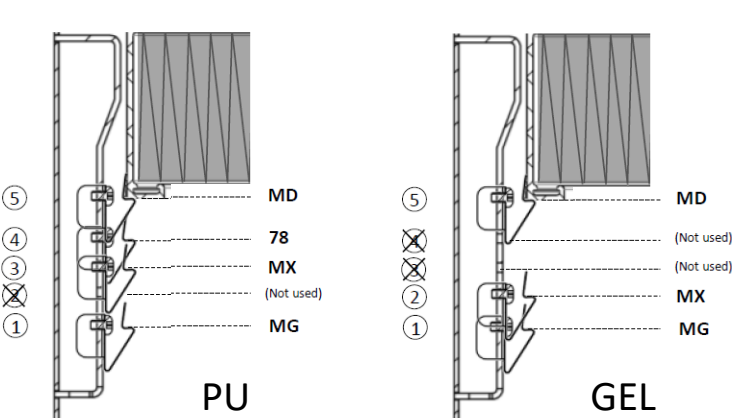


### Clamp Settings

Filter Height	Clamp Config. PU	Clamp Config. GEL
MD	A-1	A-1
78	A-2	N/A
MX	B-1	B-2
MG	B-3	B-3

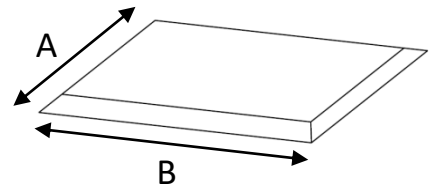


### Retainer Settings



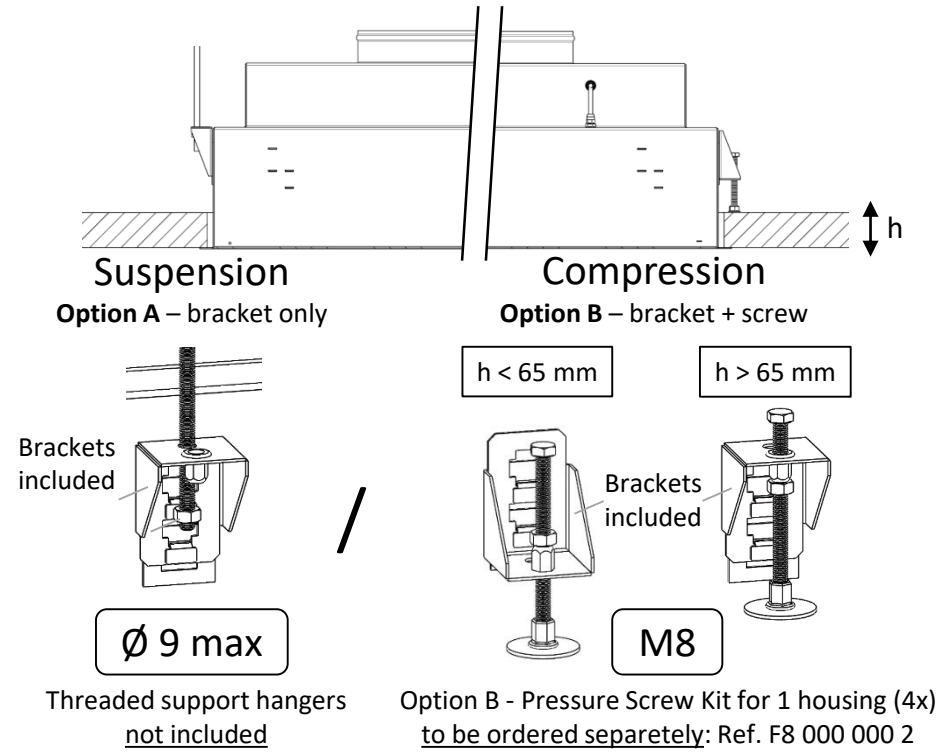


### Housing Installation

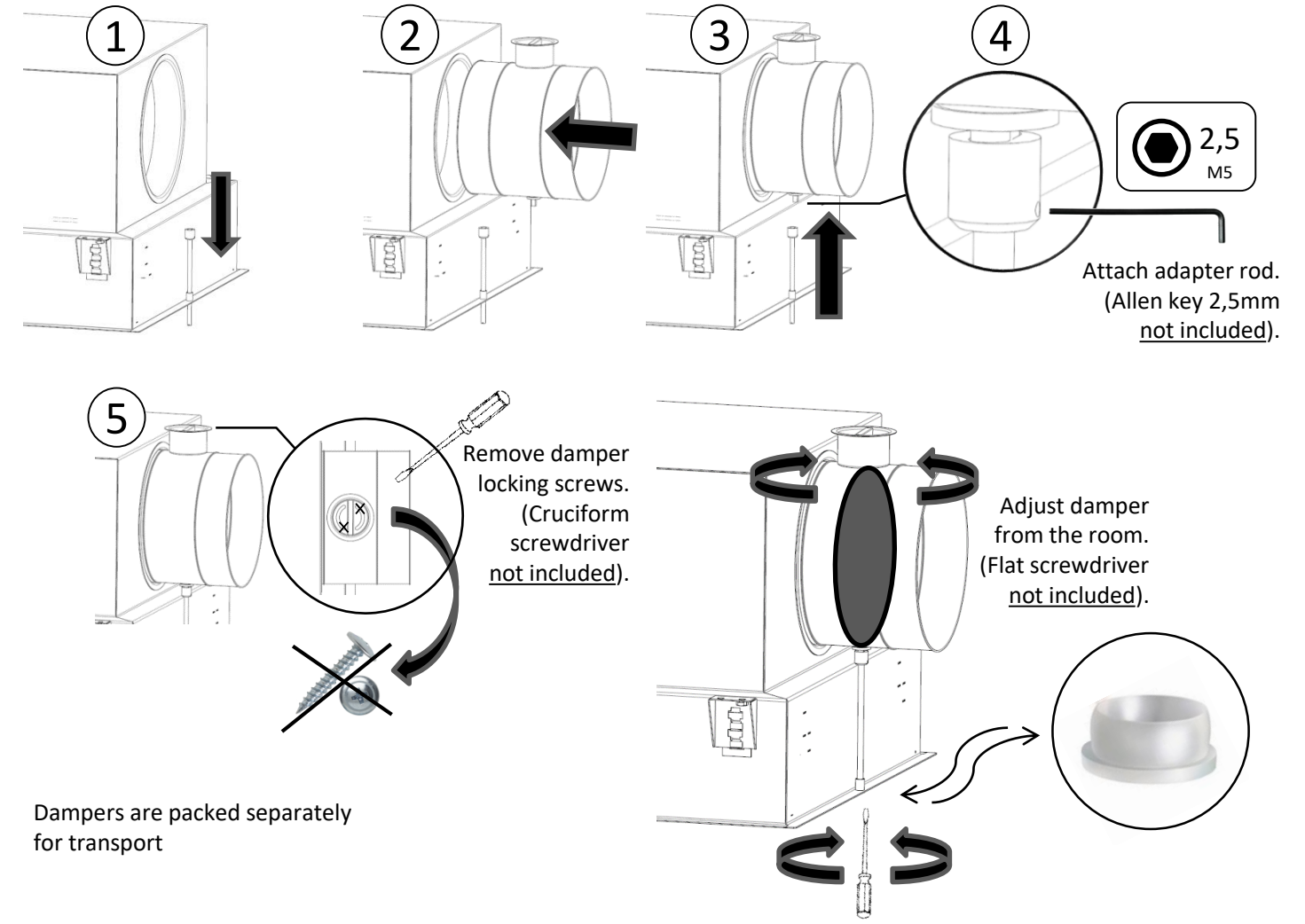


Recommended cutout dimensions

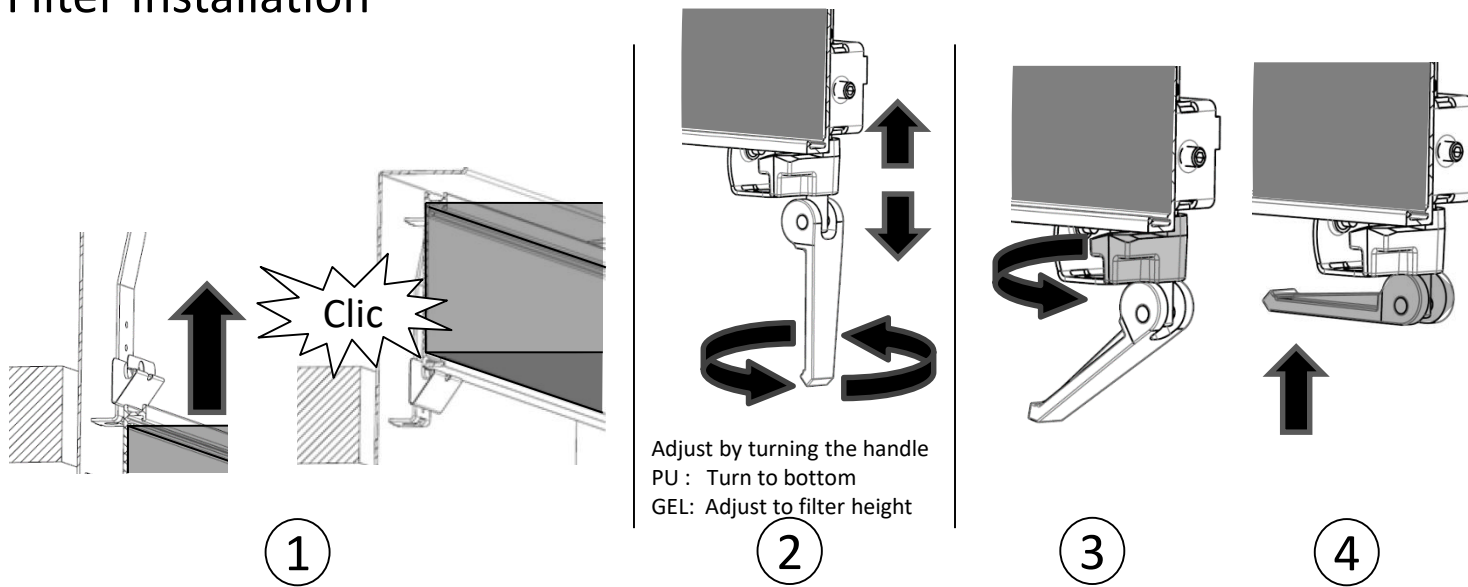
CL	Filter Size	A [mm]	B [mm]
Square	3P3	374	374
	4P4	526	526
	5P5	577	577
	6P6	679	679
	9P9	987	984
Rect.	3P6	374	667
	9P6	679	972
	11P5	577	1165
	12P6	679	1277



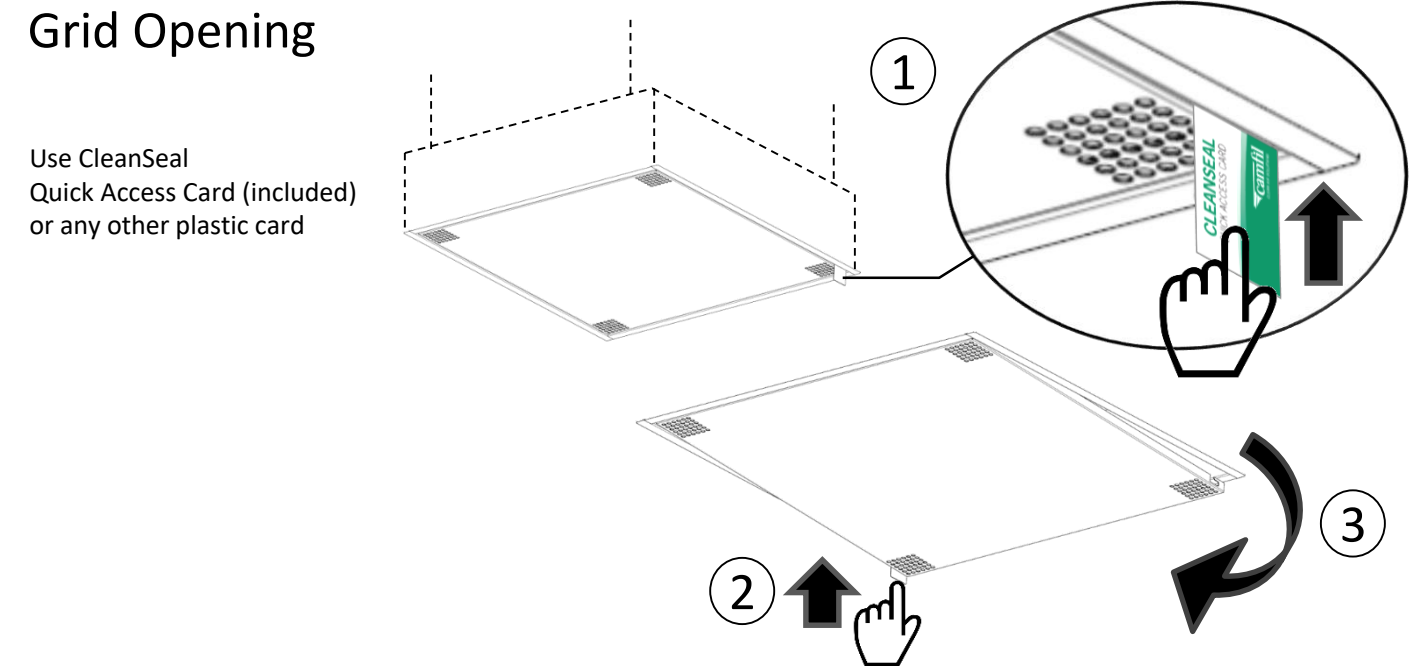
### Damper Installation



### Filter Installation

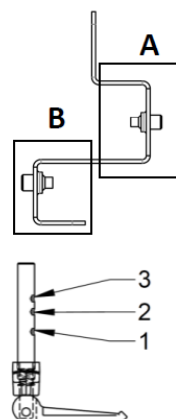


### Grid Opening



### Clamp Settings

Filter Height	Clamp Config. PU	Clamp Config. GEL
MD	A-1	A-1
78	A-2	N/A
MX	B-1	B-2
MG	B-3	B-3



### Retainer Settings

